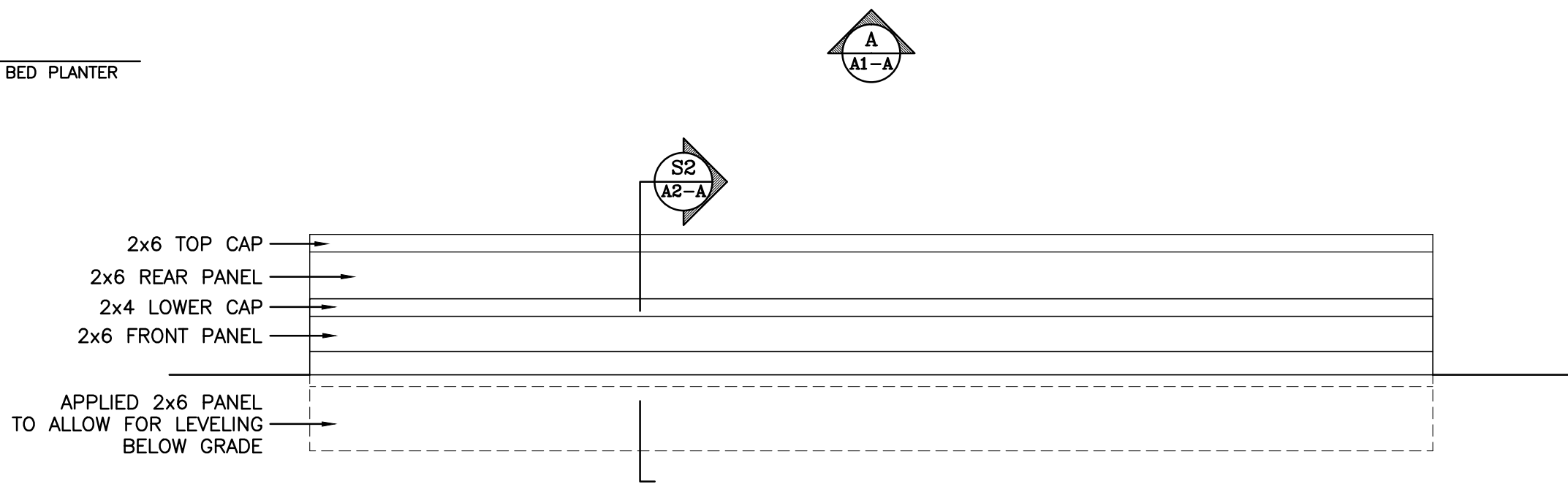
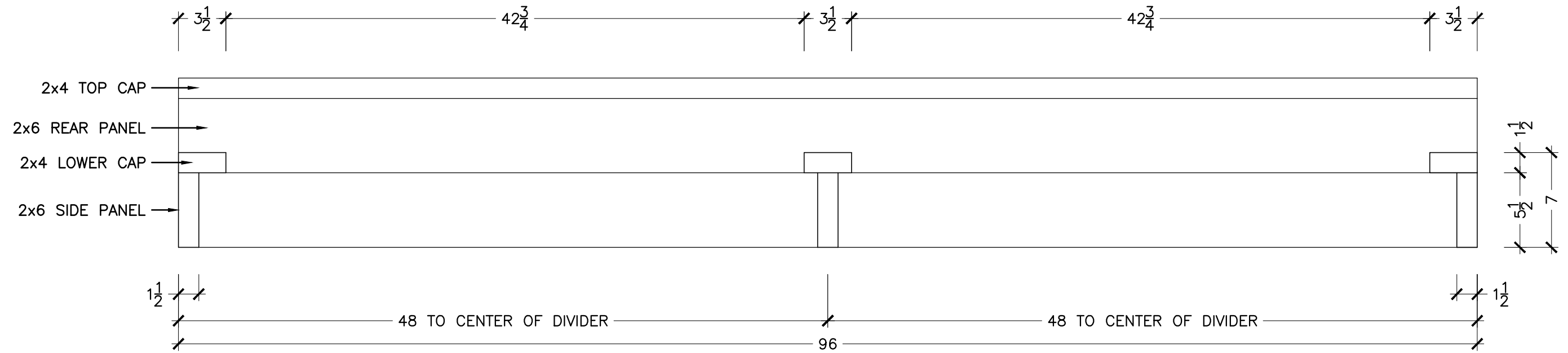


PLAN
RAISED BED PLANTER

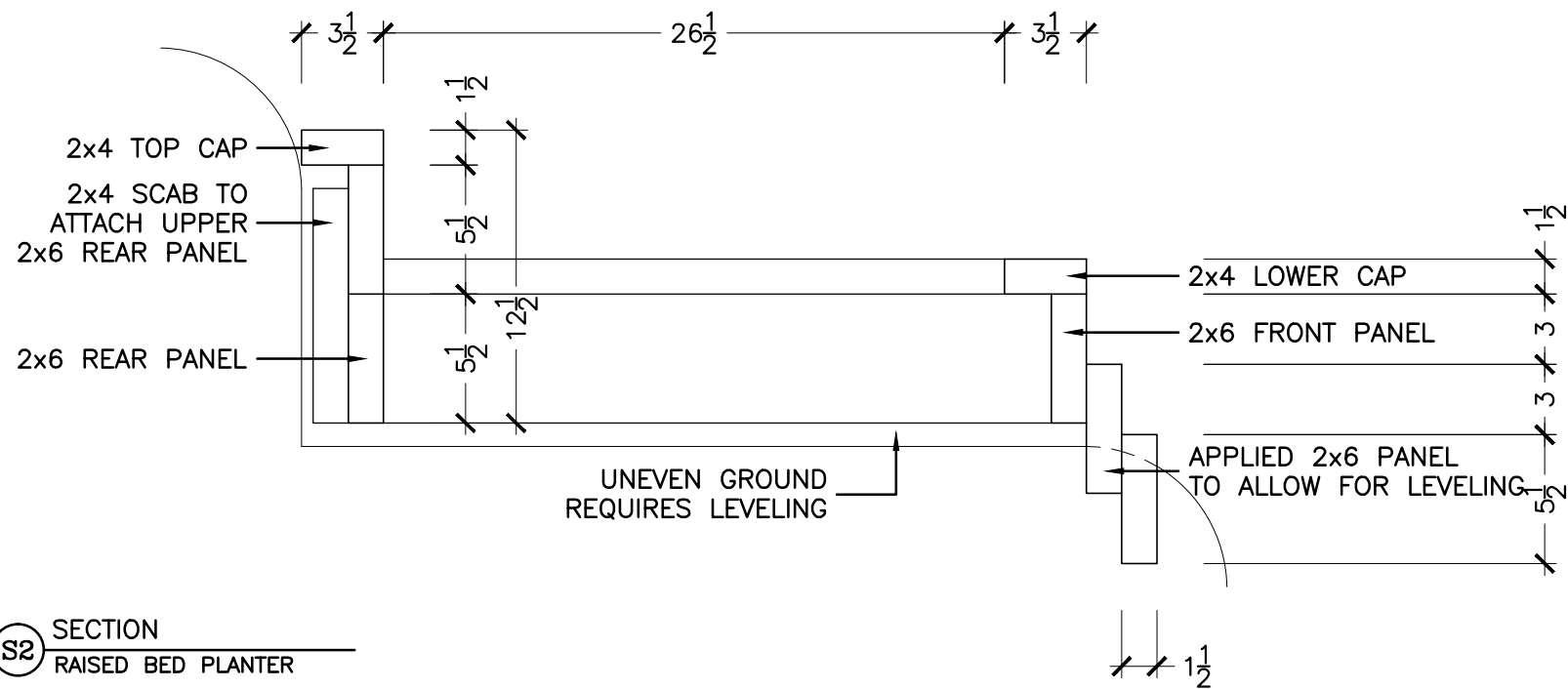


ELEVATION
RAISED BED PLANTER


RAISED BED PLANTERS WWW.WALTINPA.COM		
DATE 04/12/13	SCALE 1" = 1'-0"	DRAWN BY W W
WALT PA		
SHEET DESCRIPTION PLAN / ELEVATION: PLANTERS:		SHEET NO. A1-A



S1 SECTION
RAISED BED PLANTER



S2 SECTION
RAISED BED PLANTER

RAISED BED PLANTERS WWW.WALTINPA.COM		
DATE 04/12/13	SCALE 1 1/2" = 1'-0"	DRAWN BY ~ ~ ~
		
SHEET DESCRIPTION SECTION: PLANTERS:		SHEET NO. A2-A